

## Features

- Can be used as substitution of rechargeable batteries and ideal for RTC back-up purposes
- **Eco-friendly**  
: RoHS compliant
- **Pb-free Reflowable**  
: Pb-free reflow soldering available (260°C peak)
- **High Operational Voltage**  
: Able to be used at wide voltage range from 0V to 3.3V
- **Various Terminal Types**



T01



SM 3R3 333



T02

SM 3R3 703



SM 3R3 203

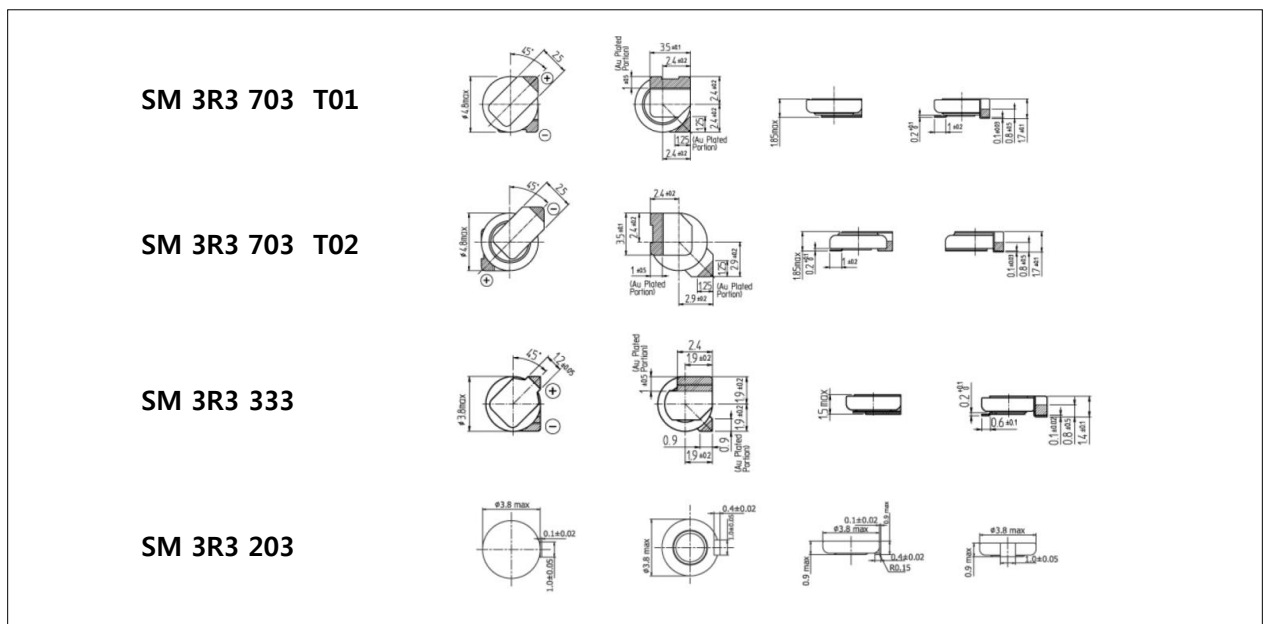
## Applications

- RTC(Real Time Clock) back-up for Mobile Phones, Digital Cameras, PMP, Pagers, etc.

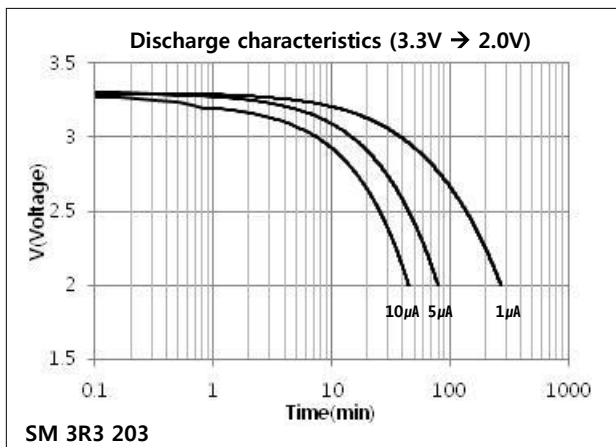
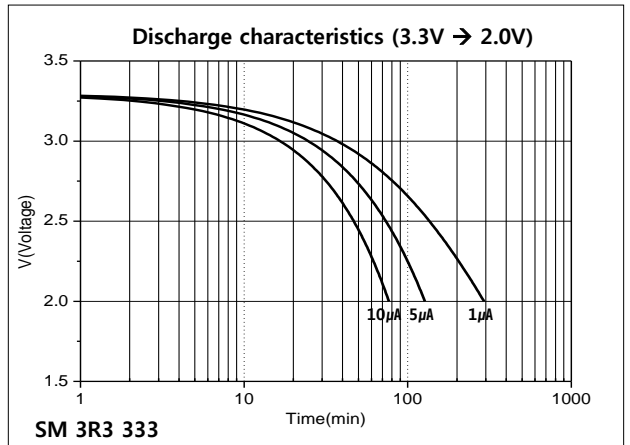
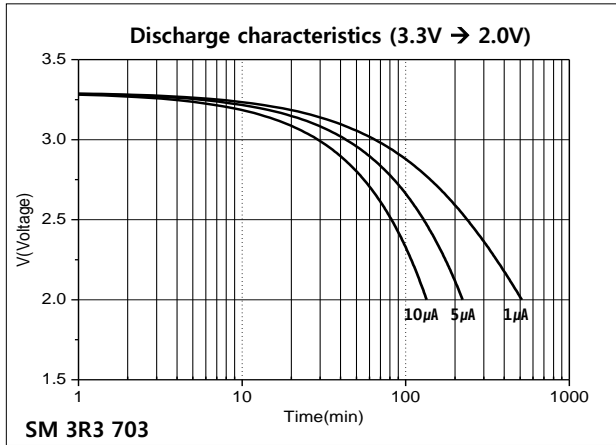
## Nominal Specifications

Part No.	SM 3R3 703	SM 3R3 333	SM 3R3 203
Cell Size	Ø4.8 × 1.4mm	Ø3.8 × 1.1mm	Ø3.8 × 0.9mm
Operating Temp.	-10 ~ +60 °C		
Rated Voltage	3.3Vdc		
Capacitance	0.07F	0.033F	0.02F
Discharge Capacity	25.3 uAh (3.3V-2.0V)	11.9 uAh (3.3V-2.0V)	7.2 uAh (3.3V-2.0V)
Capacitance Tolerance	-20 ~ 80 %		
ESR (at 1KHz)	LESS THAN 200Ω	LESS THAN 300Ω	LESS THAN 500Ω
Leakage Current	LESS THAN 100μA	LESS THAN 100μA	LESS THAN 80μA
Endurance	After 500hours application of rated DC working voltage at +60°C, the capacitor shall meet the following limits.		
Capacitance change	±50% of the initial value		
Internal resistance	2,000Ω or less	4,000Ω or less	8,000Ω or less
Shelf Life	After 500hours storage at +60°C without load, the capacitor shall meet the specified limit for "Endurance"		

## Dimensions in mm(not to scale)



**| Discharge Characteristics |**



**| Reflow Soldering Condition |**

